

## GP6500E

**GP SERIES**  
Commercial/Residential  
Portable Generators

1 of 2

### Features

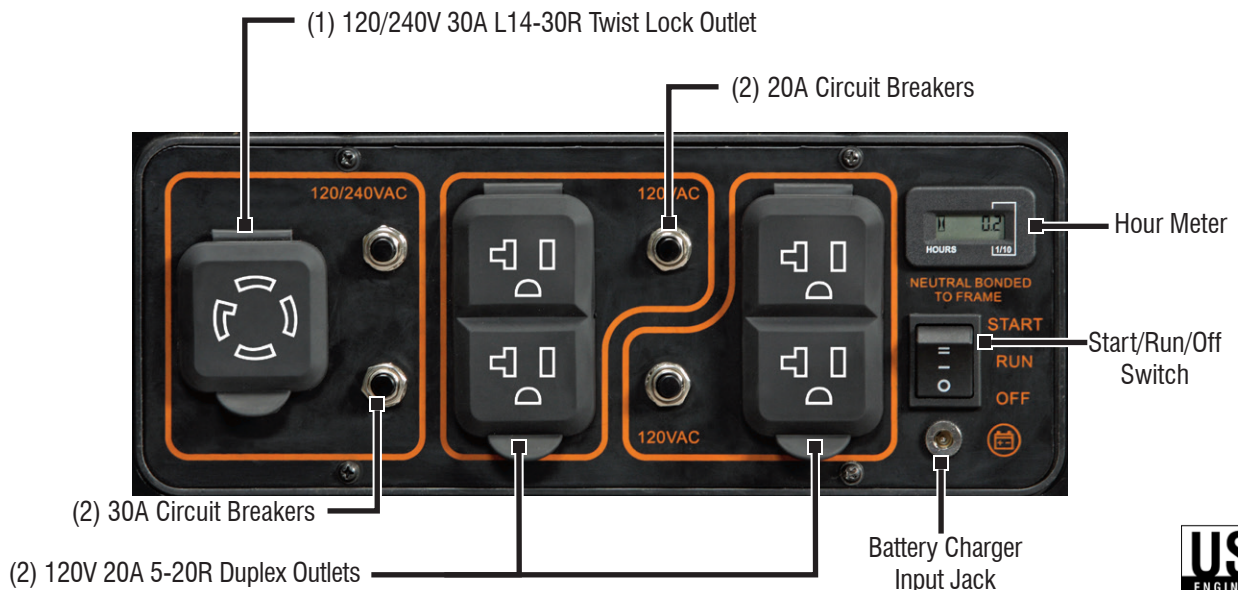
Models 5941-3 UPC: 696471059410  
(49ST)

- **The Generac OHV engine** with splash lubrication provides a long engine life.
- **Single touch electric start**, battery included, provides hassle-free start-up.
- **Hour Meter** tracks maintenance intervals.
- **Large-capacity steel fuel tank** with incorporated fuel gauge provides durability and extended run times.
- **Low-oil level shutdown** automatically safeguards engine from damage.
- **Covered outlets** provides added protection from the environment and rugged working conditions.
- **Hardened 1 1/4" steel tube cradle** for added durability and strength.
- **Fold-down, locking handle** for sturdy portability and compact storage.
- **Heavy-duty, never flat wheels** for reliable portability.
- **Plug-in battery charger jack** keeps battery charged and ready to go.



**AC Rated Output Running Watts 6500**  
**AC Maximum Output Starting Watts 8125**

### 49-State Control Panel



# GP6500E

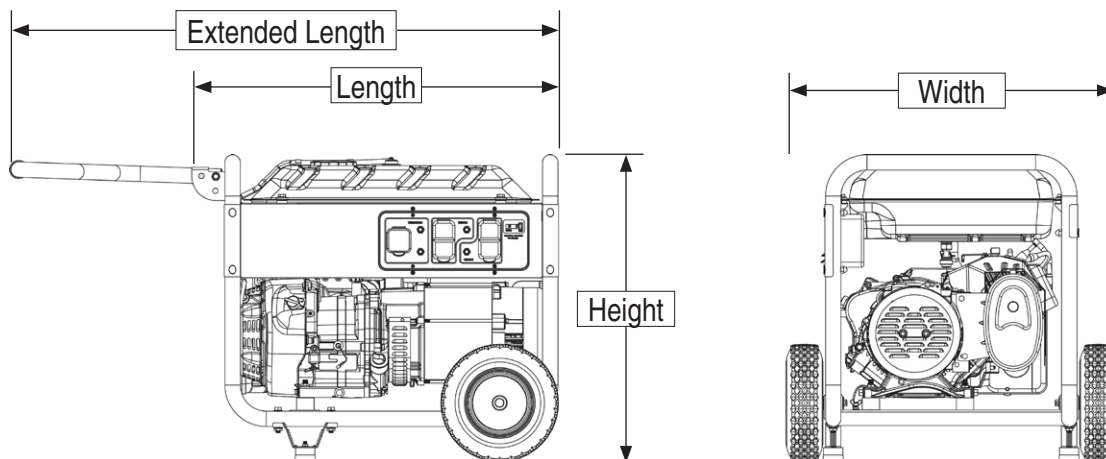
## specifications

|   |                            |
|---|----------------------------|
| Product Series                          | GP6500E                    |
| Model (Configuration)                   | 5941-3 (EPA)               |
| AC Rated Output Running Watts:          | 6500                       |
| AC Maximum Output Motor Starting Watts: | 8125                       |
| AC Voltage                              | 120/240 VAC                |
| AC Frequency                            | 60 Hz                      |
| Rated VAC Amperage                      | 54.2/27.1                  |
| Max Rated VAC Amperage                  | 67.8/33.9                  |
| Engine Displacement                     | 389cc                      |
| Engine Type                             | OHV                        |
| Engine RPM                              | 3600                       |
| Recommended Oil                         | 10W-30 / SAE30             |
| Lubrication Method                      | Splash                     |
| Automatic Voltage Regulation (AVR)      | Yes                        |
| Choke Location                          | On Engine                  |
| Fuel Shut Off                           | On Fuel Tank               |
| Starting Method                         | Electric/Recoil Pull Start |
| Low Oil Shutdown Method                 | Low Level                  |
| Battery Type                            | 12VDC, 10AH                |
| Battery Charger Input Jack              | Included                   |
| Neutral Bonded to Ground                | Yes                        |

|                              |                          |
|------------------------------|--------------------------|
| Start Switch Type            | Start/Run/Off Switch     |
| Switch Location              | On Control Panel         |
| Fuel Gauge                   | Built-In Tank            |
| Fuel Tank Capacity Gal (Ltr) | 7.2 (27.3)               |
| Run Time at 50% (Hours)      | 10                       |
| Handle Style                 | Single Folding / Locking |
| Wheel Type                   | 9.5" Solid Wheels        |
| Maintenance Kit              | Sold Separately          |
| Warranty - Residential       | 2 Year Ltd               |
| Warranty - Commercial        | 1 Year Ltd               |

## Dimensions and Weights

|                          |             |
|--------------------------|-------------|
| Length in (mm)           | 27.25 (692) |
| Width in (mm)            | 27 (687)    |
| Height in (mm)           | 25 (638)    |
| Extended Length in (mm)  | 44.5 (1129) |
| Carton Length in (mm)    | 31 (790)    |
| Carton Width in (mm)     | 21.5 (550)  |
| Carton Height in (mm)    | 23.25 (590) |
| Unit Weight lbs (kg)     | 186 (84.4)  |
| Shipping Weight lbs (kg) | 209 (94.9)  |



**GENERAC**<sup>®</sup>

Generac Power Systems, Inc. • P.O. Box 8, Waukesha, WI 53187 • generac.com

©2013 Generac Power Systems, Inc. All rights reserved. All specifications are subject to change without notice. Bulletin 0197810-A / Printed in U.S.A. 09/19/13