

GP6500

GP SERIES Commercial/Residential Portable Generators

Features

- **The Generac OHV engine** incorporates splash lubrication and provides long life.
- **Large-capacity steel fuel tank** with incorporated fuel gauge provides durability and extended run times.
- **Low-oil level shutdown** automatically safeguards engine from damage.
- **Hardened 1 1/4" steel tube cradle** for added strength and durability.
- **Hour Meter** tracks usage for proper service intervals.
- **Heavy-duty, never flat wheels** for reliable portability.
- **Covered outlets** for added protection from the environment and rugged working conditions.

Models 5940-2 UPC: 696471059403 (EPA/49-State)

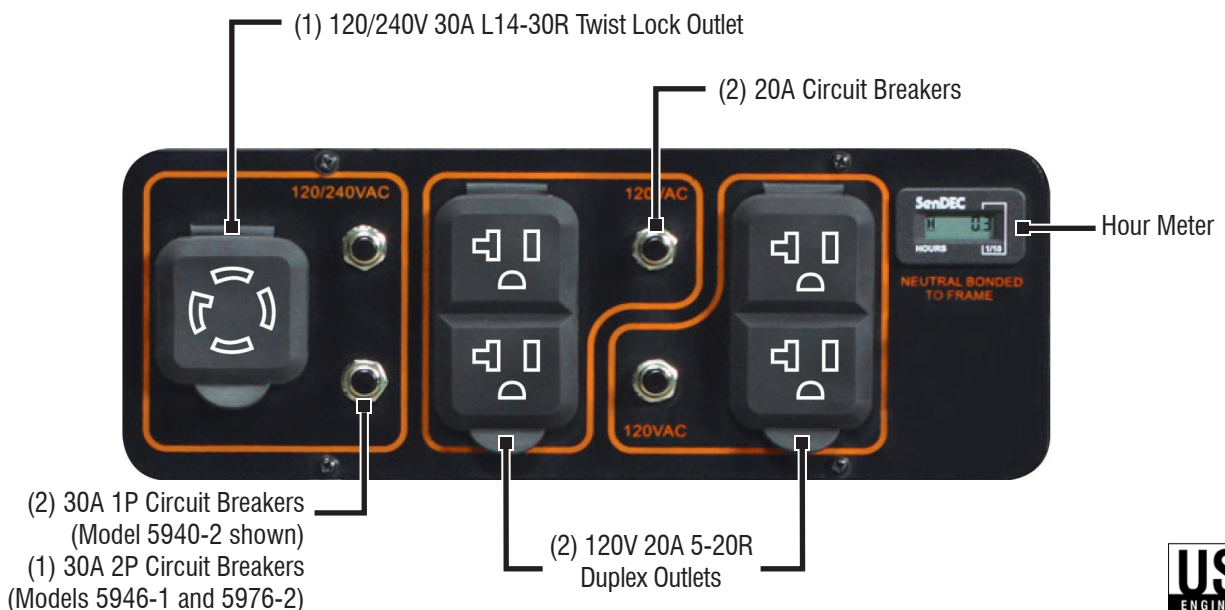
Model 5946-1 UPC: 696471059465 (EPA/CARB/California)

Model 5976-2 UPC: 696471059762 (EPA/49-State/CSA/Canada)



AC Rated Output Running Watts 6500
AC Maximum Output Starting Watts 8125

49-State Control Panel



GP6500

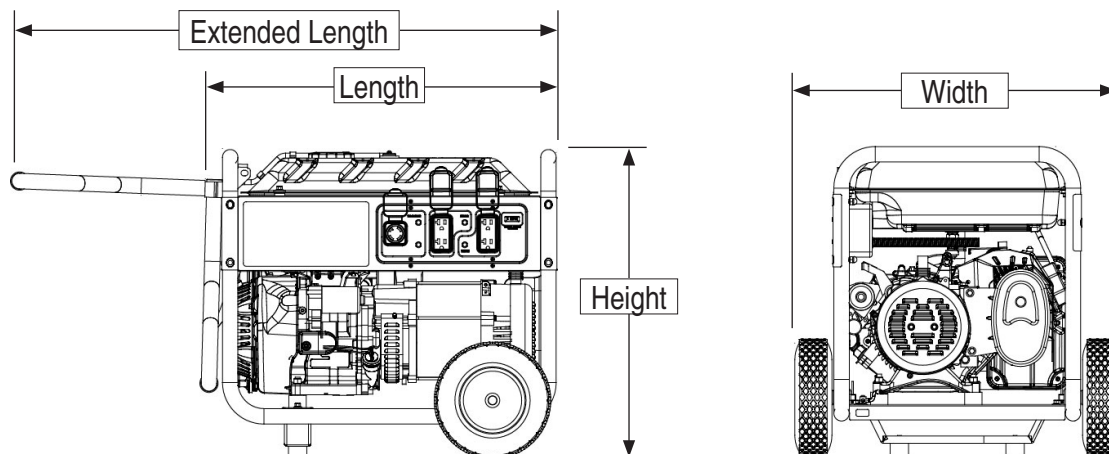
specifications

Product Series	GP6500
Model (Configuration)	5940-2 (EPA/49-State) 5976-2 (EPA/49-ST/CSA/Canada) 5946-1 (EPA/CARB/California)
AC Rated Output Running Watts:	6500
AC Maximum Output Motor Starting Watts:	8125
AC Voltage	120/240 VAC
AC Frequency	60 Hz
Rated VAC Amperage	54.2/27.1
Max Rated VAC Amperage	67.8/33.9
Engine Displacement	389cc
Engine Type	OHV
Engine RPM	3600
Recommended Oil	10W-30 / SAE30
Lubrication Method	Splash
Automatic Voltage Regulation (AVR)	Yes
Choke Location	On Engine
Fuel Shut Off	On Fuel Tank
Starting Method	Recoil Pull Start
Low Oil Shutdown Method	Low Level
Neutral Bonded to Ground	Yes

Start Switch Type	On/Off Switch
Switch Location	On Engine
Fuel Gauge	Built-In Tank
Fuel Tank Capacity Gal (Ltr)	7.2 (27.3)
Run Time at 50% (Hours)	10
Handle Style	Single Folding / Locking
Wheel Type	9.5" Solid Wheels
Maintenance Kit	Sold Separately
Warranty - Residential	2 Year Ltd
Warranty - Commercial	1 Year Ltd

Dimensions and Weights

	Model 5940-2	Model 5946-1	Model 5976-2
Length in (mm)	27.25 (692)		
Width in (mm)	27 (687)		
Height in (mm)	25 (638)		
Extended Length in (mm)	44.5 (1129)		
Carton Length in (mm)	31 (790)		
Carton Width in (mm)	21.5 (550)		
Carton Height in (mm)	23.25 (590)		
Unit Weight lbs (kg)	175 (79.3)	177 (80.3)	175 (79.3)
Shipping Weight lbs (kg)	197.5 (89.6)	200 (90.6)	197.5 (89.6)



Generac Power Systems, Inc. • P.O. Box 8, Waukesha, WI 53187 • generac.com

©2013 Generac Power Systems, Inc. All rights reserved. All specifications are subject to change without notice. Bulletin 0196620-A / Printed in U.S.A. 09/19/13